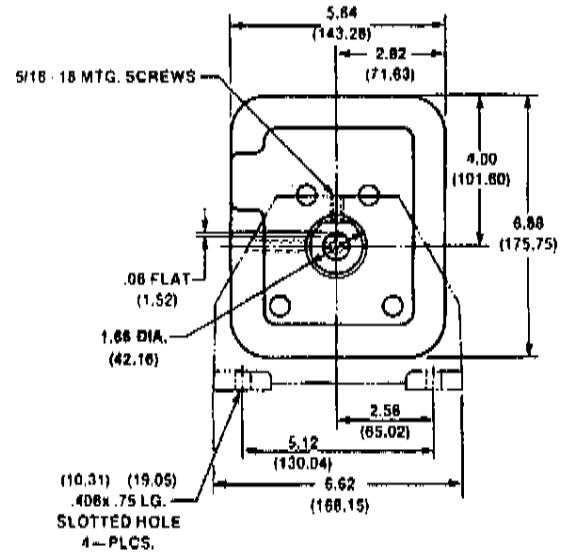
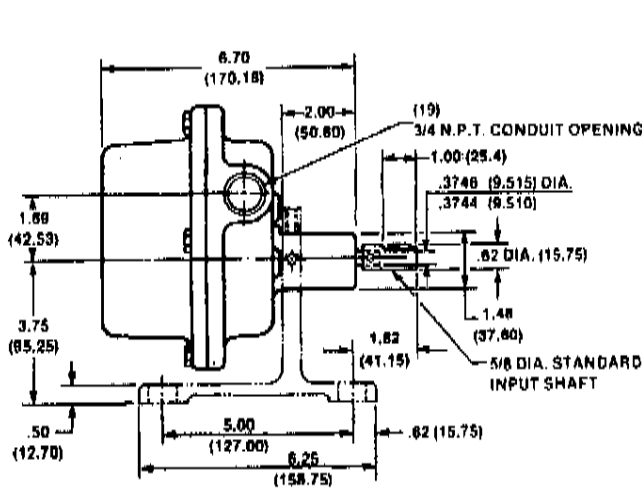


## ROTO-GUARD® III

### Models S - \* - 3 - \* - \* - D - \*

### Specifications And Wiring Instructions For "Digital Set" Model



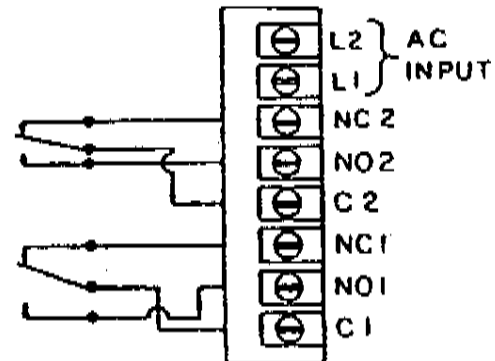
NOTE: BRACKETED ( ) DIMS. ARE IN MILLIMETERS.

### Specifications:

Housing:	Polyester Coated Alum. Casting
Input Shaft	
Speed Range:	2-400 RPM
Input Voltage:	120VAC or 240VAC at 50/60 Hz
	Factory Selectable
Output Relay:	DP/DT 5 Amp @ 120VAC, 240VAC or 24VDC
Solid State Output (Optional):	100mA @ 24VDC-Isolated Signal Switch
Temperature Range:	-40° F. To + 160° F. (-40° C. to +71° C.)
Power Consumption:	3 Watts
Shaft Dimensions:	5/8" dia. With flat suitable for flexible K-coupling
Conduit:	3/4" NPT opening
NEMA Rating:	NEMA 4/5 Weatherproof and Dusttight or NEMA 7,9 Explosionproof On Specific Models
Accuracy:	3% Of Operating Speed
Startup Delay:	0-60 Seconds

### Wiring—Relay Output

NOTE: USE COPPER CONDUCTORS ONLY,  
 60/75° C. INSULATION RATING. TORQUE  
 POWER CONNECTIONS TO 7 Lb. In.



CONTACTS SHOWN  
 WITH RELAY DE-ENERGIZED  
 (ALARM STATE)



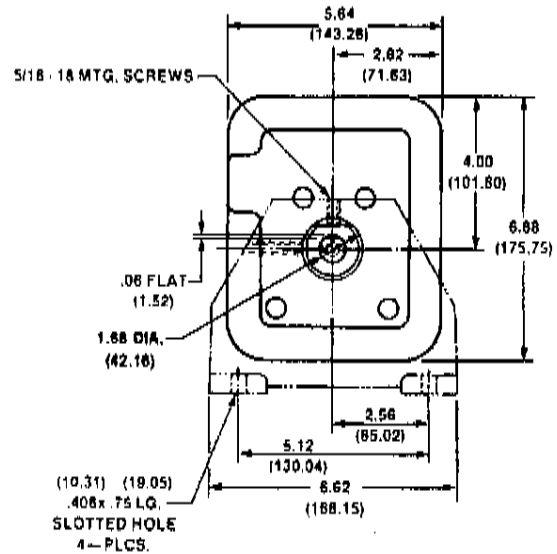
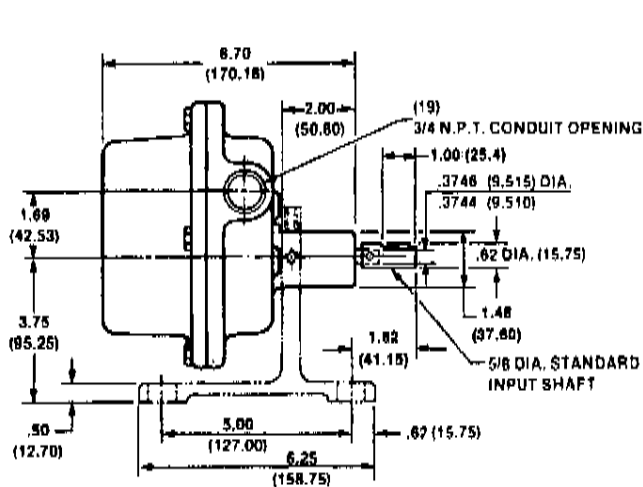
P.O. BOX 386  
 PUTNAM, CT 06280  
 860-928-6551  
 800-745-6551  
 FAX 860-928-9450

## ROTO-GUARD® III

Models S - \* - 3 - \* - \* - A - \*

Specifications And Wiring Instructions For "Adjustable Alarm Speed" Model

PLEASE NOTE: THIS MODEL REPLACES ALL ROTO-GUARD II MODELS.



NOTE: BRACKETED ( ) DIMS. ARE IN MILLIMETERS.

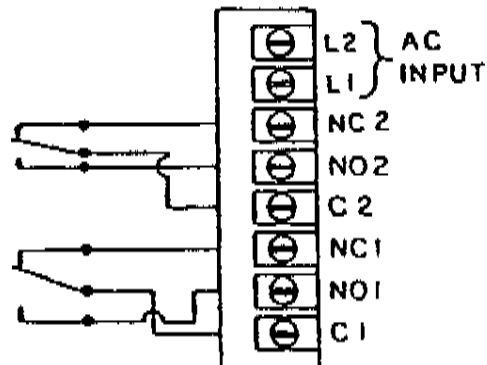
### Specifications:

Housing:	Polyester Coated Alum. Casting
Input Shaft	
Speed Range:	1-300 RPM
Input Voltage:	120VAC or 240VAC at 50/60 Hz Factory Selectable
Output Relay:	DP/DT 5 Amp @ 120VAC, 240VAC or 24VDC
Solid State Output (Optional):	100mA @ 24VDC-Isolated Signal Switch
Temperature Range:	-40° F. To + 160° F. (-40° C. to +71° C.)
Power Consumption:	3 Watts
Shaft Dimensions:	5/8" dia. With flat suitable for flexible K— Coupling
Conduit:	3/4" NPT opening
NEMA Rating:	NEMA 4/5 Weatherproof Dusttight or NEMA 7, 9 Explosionproof On Specific Models (Note: Input Shaft speed must not exceed 100 RPM on NEMA 7/9 Models.)
Alarm Point:	15% change in operating speed*
Startup Delay:	0-60 Seconds

\*The unit has been designed to provide an alarm with approximately a 15% change in speed.

### Wiring—Relay Output

NOTE: USE COPPER CONDUCTORS ONLY,  
 60/75° C. INSULATION RATING. TORQUE  
 POWER CONNECTIONS TO 7 Lb. In.

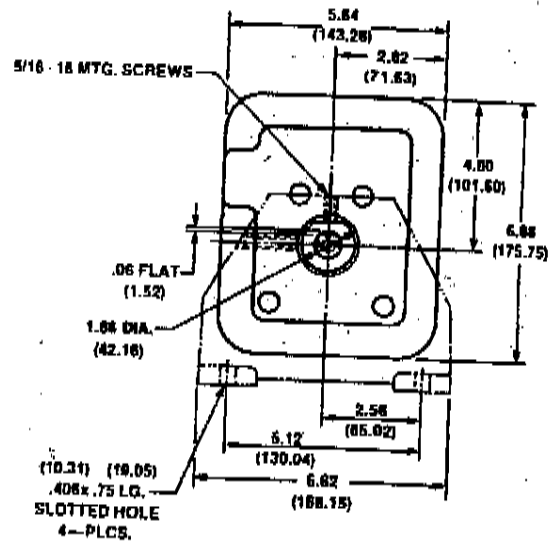
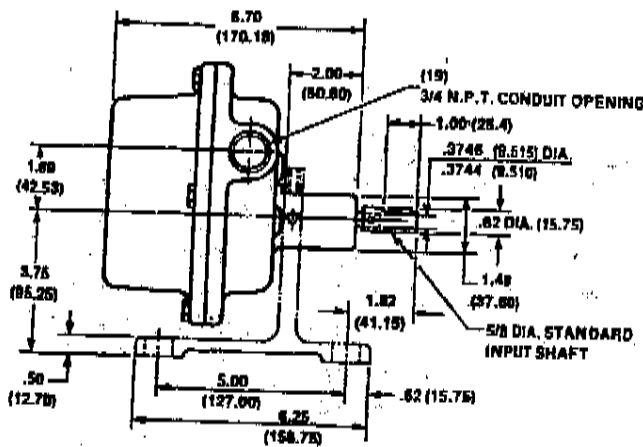


CONTACTS SHOWN  
 WITH RELAY DE-ENERGIZED  
 (ALARM STATE)

## ROTO-GUARD® III

Models S - \* - 3 - \* - \* - Z - \* -

### Specifications And Wiring Instructions For "Zero Set" Model



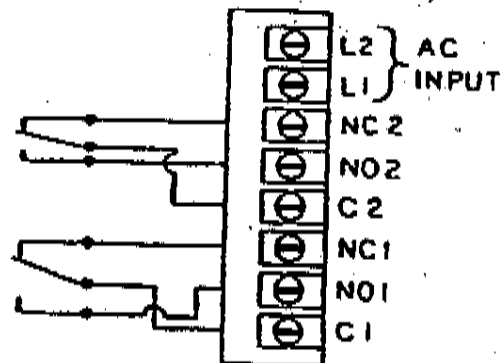
NOTE: BRACKETED ( ) DIMS. ARE IN MILLIMETERS.

#### Specifications:

Housing:	Polyester Coated Alum. Casting
Input Shaft:	
Speed Range:	.5-300 RPM
Input Voltage:	120VAC or 240VAC at 50/60 Hz
	Factory Selectable
Output Relay:	DP/DT 5 Amp @ 120VAC, 240VAC or 24VDC
Solid State Output (Optional):	100mA @ 24VDC-Isolated Signal Switch
Temperature Range:	-40° F. To + 160° F. (-40° C. to +71° C.)
Power Consumption:	3 Watts
Shaft Dimensions:	5/8" dia. With flat suitable for flexible K- Coupling
Conduit:	3/4" NPT opening
NEMA Rating:	NEMA 4/5 Weatherproof and/ or NEMA 7,9 Explosionproof On Specific Models (Note: Input Shaft speed must not exceed 100 RPM on NEMA 7/9 Models.)
Alarm Point:	Less than 1 RPM
Startup Delay:	0-60 Seconds

#### Wiring—Relay Output

NOTE: USE COPPER CONDUCTORS ONLY,  
 60/75° C. INSULATION RATING. TORQUE  
 POWER CONNECTIONS TO 7 Lb. In.



CONTACTS SHOWN  
 WITH RELAY DE-ENERGIZED  
 (ALARM STATE)