

4

3

2

1

LIST ON MATERIAL

TRACKING LABEL	QTY.	DESCRIPTION	MATERIAL	REMARKS	PART NO.	NEW DWG. #.
EPHOUSING COVE	1	EP FRONT COVER CASTING	ALUMINUM	TENZALOY 713.1	2100-10	A1000-100-0156 R1
EP HOUSING	1	EP CENTER CASTING	ALUMINUM	TENZALOY 713.1	2100-11	A1000-100-0153 R1
EP COVER REAP	1	EP BACK COVER CASTING	ALUMINUM	TENZALOY 713.1	2100-12	A1000-100-0154 R1
5/16-18 X 1 HEX	16	BOLT HEX HEAD	STEEL, ZINC PLTD GR 5	5/16-18 UNC -2B X 1 LG	EP-1-13	
46x 1/4 BRASS	4	SCREW PAN HD SLTD SELF TAPPING	STEEL, STAINLESS	NO. 4-24 X 3/16 LG TYPE B 18-8 SST	EP-1-14	
FACT MUTUAL TAG	1	TAG	ALUMINUM	1/32 THK	EP-1-15	
1/4-20X1/2 SCO	3	SET SCREW SOCKET HEAD CUP POINT	STEEL, STAINLESS	1/4-20 UNC -2B x 1/2 LG	EP-1-16	
PLUG 1/2 CLSR	2	PLUG	STEEL, ZINC PLTD	1/2-14 NPT x 1/2	EP-1-17	
8-32 x 3/8 GRE	1	SCREW HEX HEAD SLTD WASHER	STEEL, GREEN ANODIZED	NO. 8-32 X 3/8 LG GROUNDING	EP-1-18	

SWITCH SHOWN MODEL 2122
TYPE EP-I. TYPE EPI.
SWITCHES ALSO AVAILABLE
INCLUDE:

2120	A	2130	B		
2120-1	A	2130-1	B		
2120-5	A	2130-5	B		
2120-10	A	2130-10	B		
2120-A1	A	2130-A1	B		
2120-A2	A	2130-A2	B		
2120-A3	A	2130-A3	B		
2120-A4	A	2130-A4	B		
2120-A11	A	2130-A11	B		
2120-A15	A	2130-A15	B		
2122	B	8121 S	A		
2122-1	B	8121-5S	A		
2122-5	B				
2122-10	B				
2122-A1	B	81212 S	B		
2122-A2	B	81212-5S	B		
2122-A3	B				
2122-A4	B				
2122-A11	B	8131 S	B		
2122-A15	B	8131 5S	B		

REVISIONS:

NO	DESCRIPTION	DATE	BY
1	CORRECTED PART #S, ADDED DRAWING #S, REMOVED OBS. MODELS	1/28/02	JFL

D

D

C

C

B

GENERAL NOTES

- ALL DIMENSIONS IN INCHES.
- SPACE DIMENSIONS ARE REFERENCE ONLY.
- ENGAGE CONDUIT FITTINGS TO 67 FT-LBS MINIMUM WITHSTAND TORQUE.
- ZERO SPEED SWITCHES USE MICRO SWITCH MODEL NUMBERS BZ-2RW84357-A2, BZ-2RW8435241-A2, BZ-2RW8435242-A2, BZ-2RW8435243-A2, BZ2RW8435244-A2, & BZ2RW8435162-A2 MANUFACTURED BY MICRO SWITCH FREEPORT, IL; A DIVISION OF HONEYWELL
- PART AND DRAWING MODELED FROM AND REPLACES DWGS EP-1A, EP-1B, EP-2A, EP-3A, EP-4A, REV H DTD 5/4/89 BY MGM.
- CONTROLLED PRINT. ANY CHANGES MUST BE APPROVED BY CCI ENGINEERING AND FACTORY MUTUAL PRIOR TO IMPLEMENTATION.

THE DESIGNATION A OR B ABOVE INDECATES THE FREE INTERVAL VOLUME OF THE EXPLOSIONPROOF MODELS LISTED ABOVE

A = 27.25 CUBIC INCHES
B = 25.95 CUBIC INCHES

THE TYPE EP-I MODEL DESIGNATION SHALL BE MODIFIED WHEN APPLICABLE, AS FOLLOWS

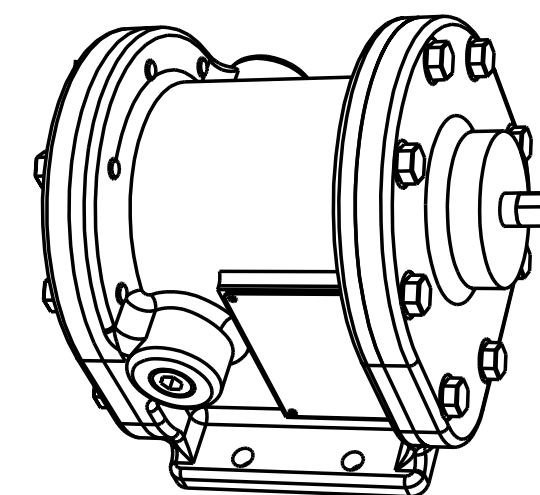
TYPE EP-IR - FOR UNITS THAT OPERATE IN A CLOCKWISE DIRECTION OF SHAFT ONLY

AND

TYPE EP-IL - FOR UNITS THAT OPERATE IN COUNTER CLOCKWISE DIRECTION ONLY

AND

TYPE EP-IN - FOR INTERLALLY GEARED UNITS MODIFIED WITH HEAVY DUTY GEAR SET.



4A	I	EXPLOSION PROOF ZERO SPEED SWITCH ENCLOSURE
3A	I	EXPLOSION PROOF ZERO SPEED SWITCH ENCLOSURE
2A	I	EXPLOSION PROOF ZERO SPEED SWITCH ENCLOSURE
1A	I	EXPLOSION PROOF ZERO SPEED SWITCH ENCLOSURE
SHEET	REV	TITLE
INDEX		

CONTROL CONCEPTS, INC
100 PARK ST P.O. BOX 386
PUTNAM, CT USA

THIS DRAWING AND THE PARTS THEREOF ARE THE PROPERTY OF CONTROL CONCEPTS INC. AND MAY NOT BE REPRODUCED OR USED WITHOUT WRITTEN CONSENT.

SIZE	DATE	DESCRIPTION	SCALE
C	11/27/00	EXPLOSION PROOF ZERO SPEED SWITCH ENCLOSURE	FULL
MATERIAL	PART NO.	DRAWING NO:	
		C1100-100-0158-1A	

TOLERANCE UNLESS AS NOTED:
F.X ±0.1
F.XX ±0.01
F.XXX ±0.005
ANG ±.5
FRACT ±1/16

4

3

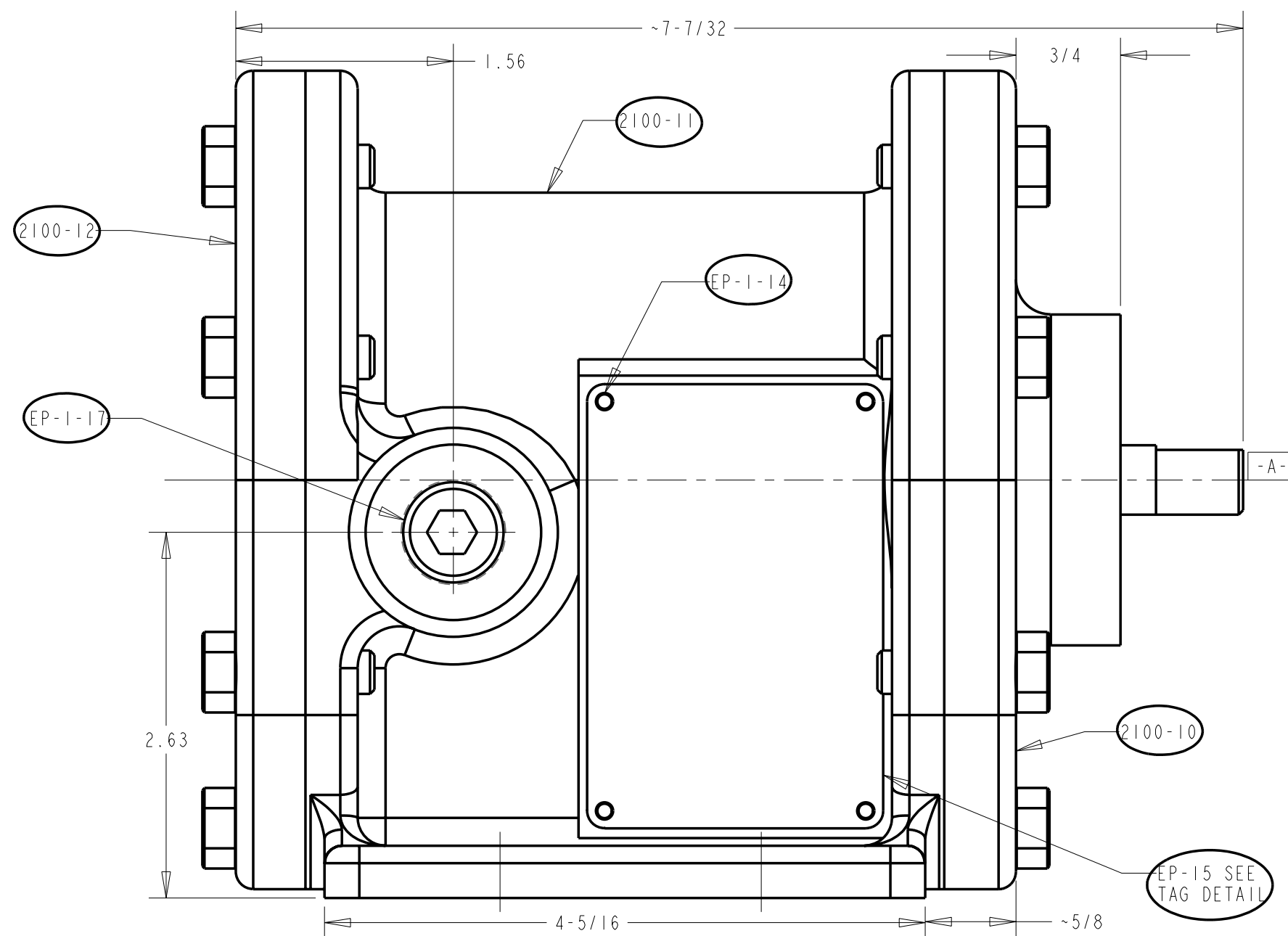
2

1

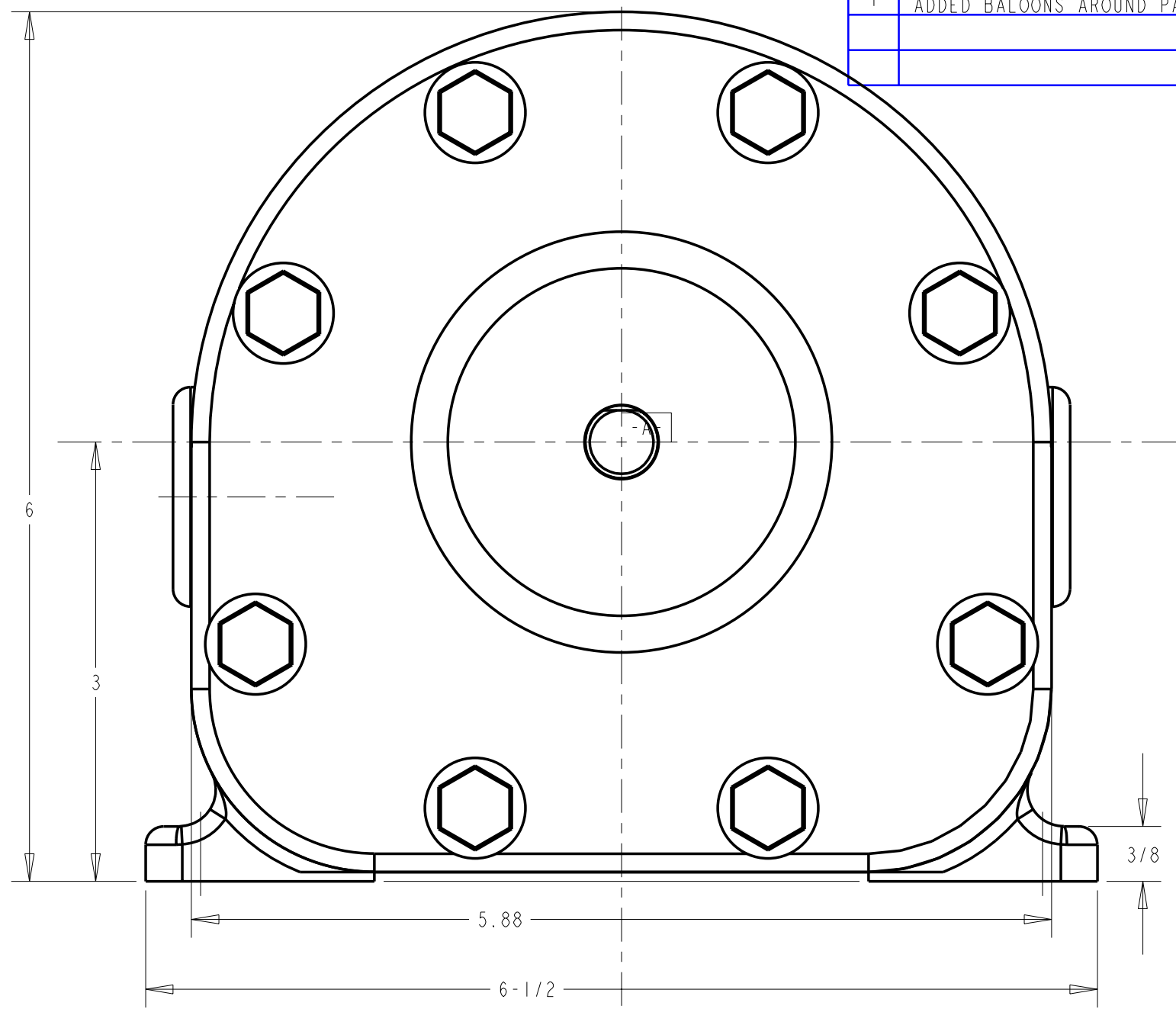
A

A

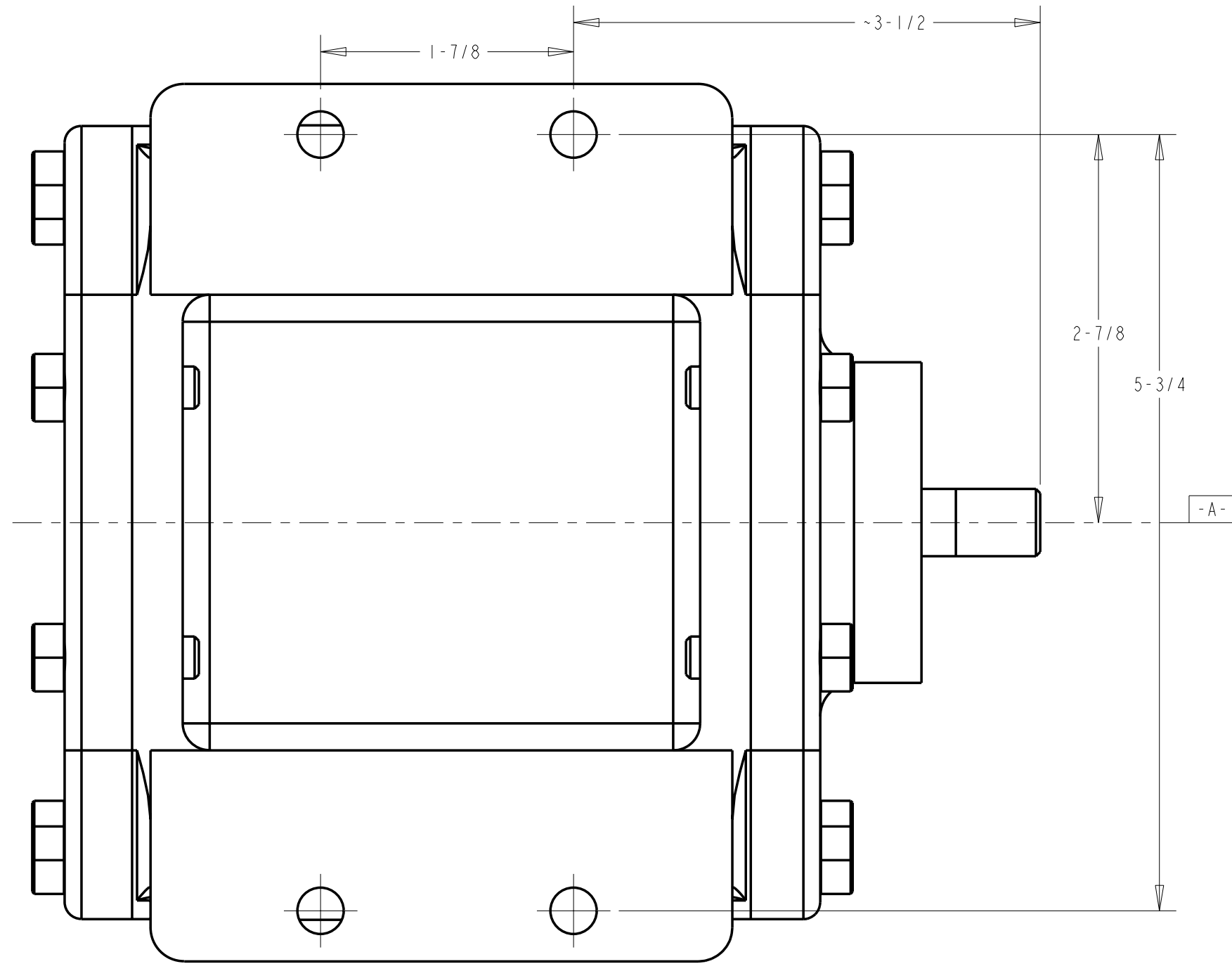
REVISIONS:			
NO	DESCRIPTION	DATE	BY
1	ADDED BALOONS AROUND PART #s	1/28/02	JFL



SIDE VIEW



FRONT VIEW



BOTTOM VIEW

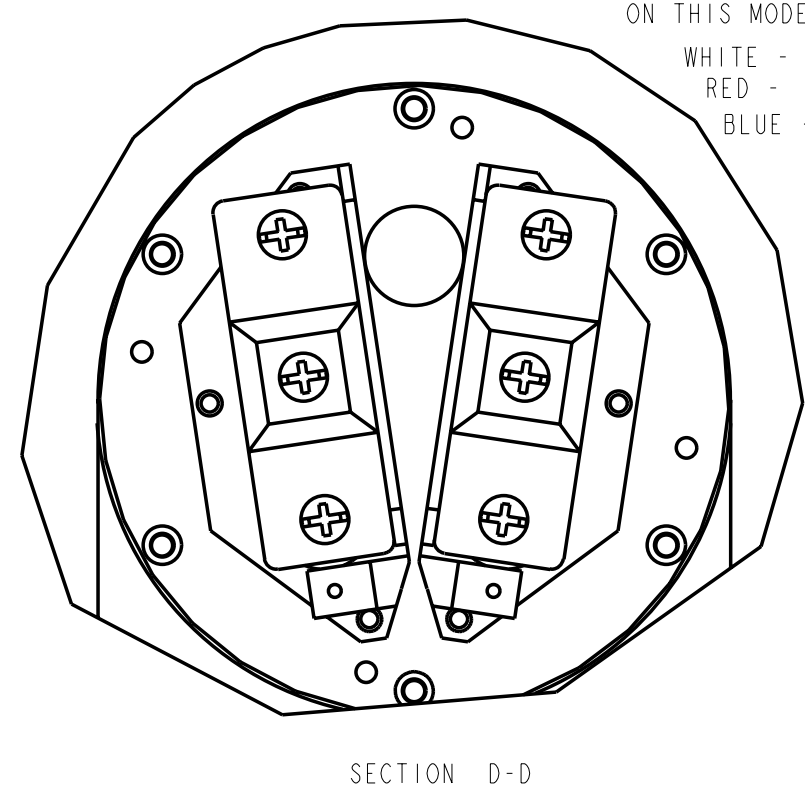
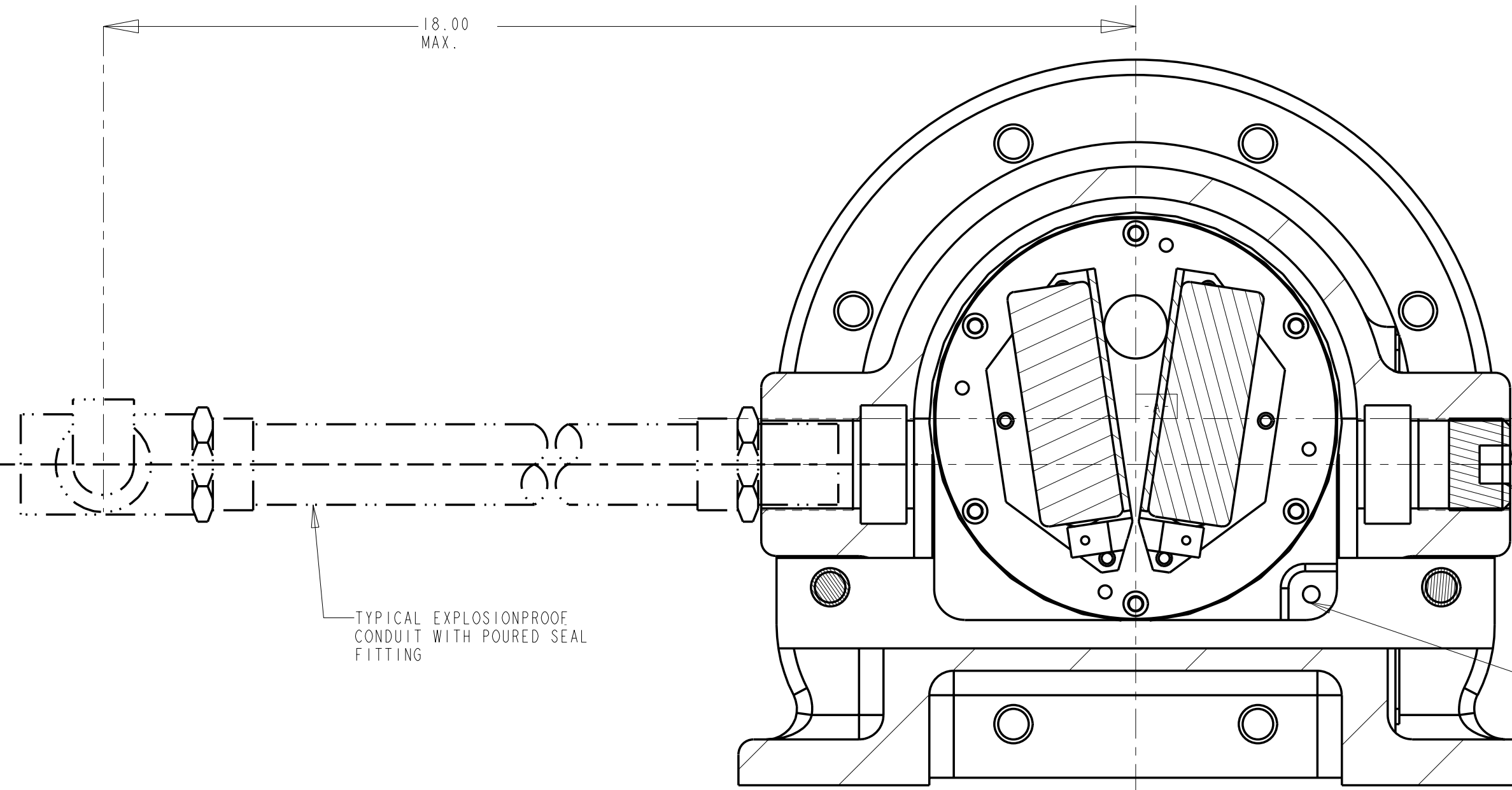
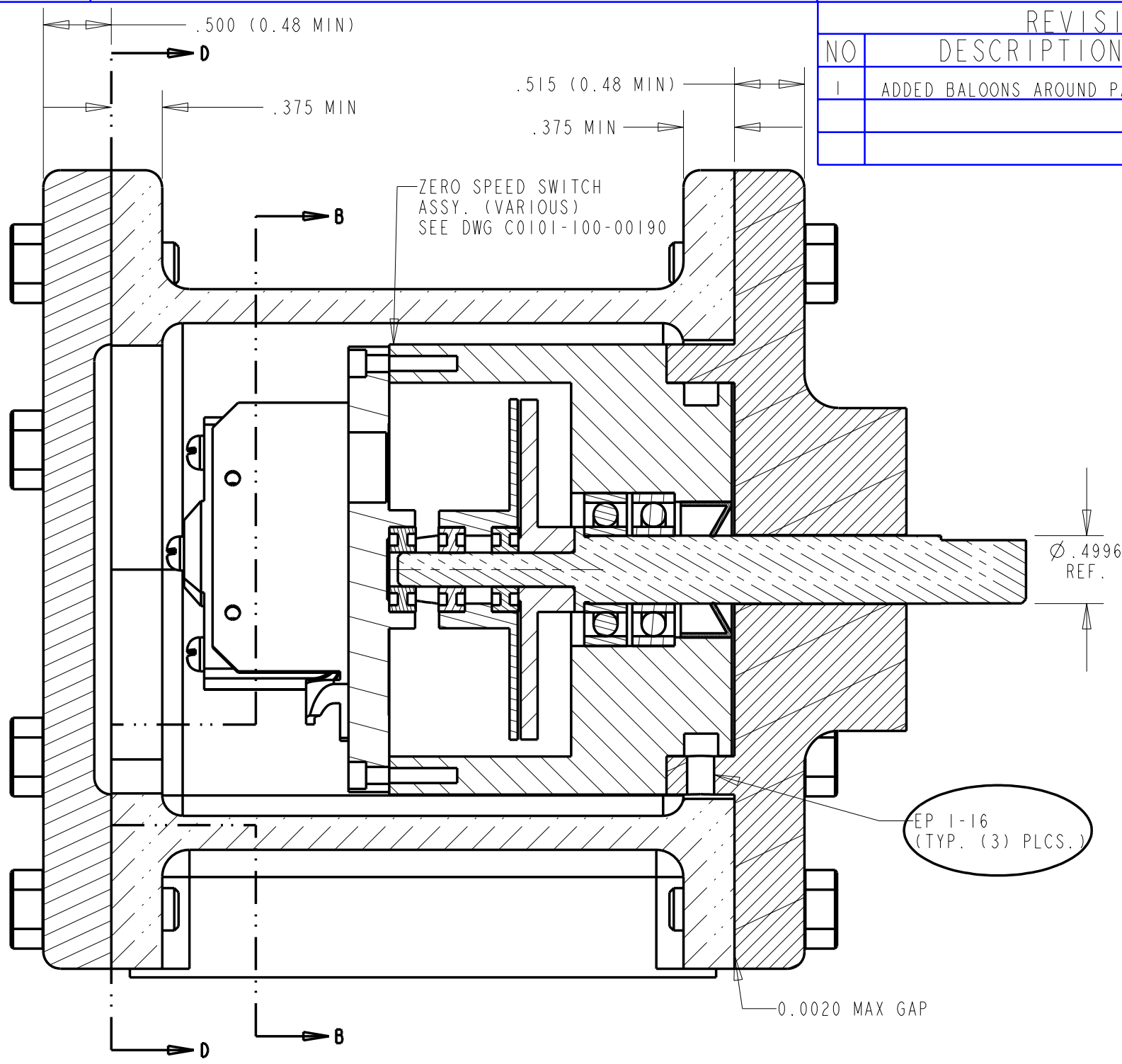
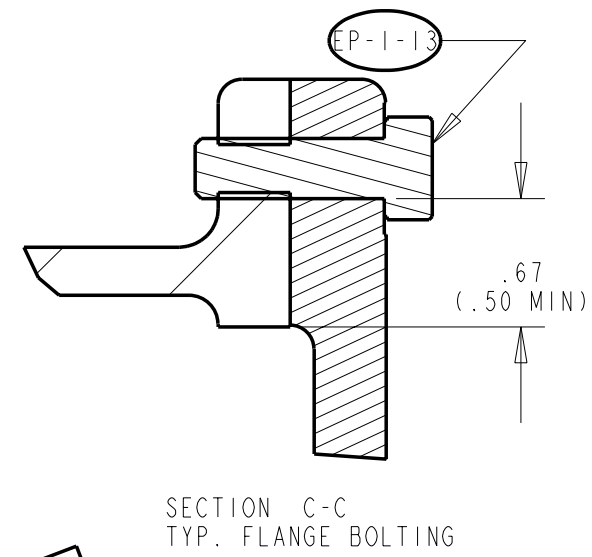
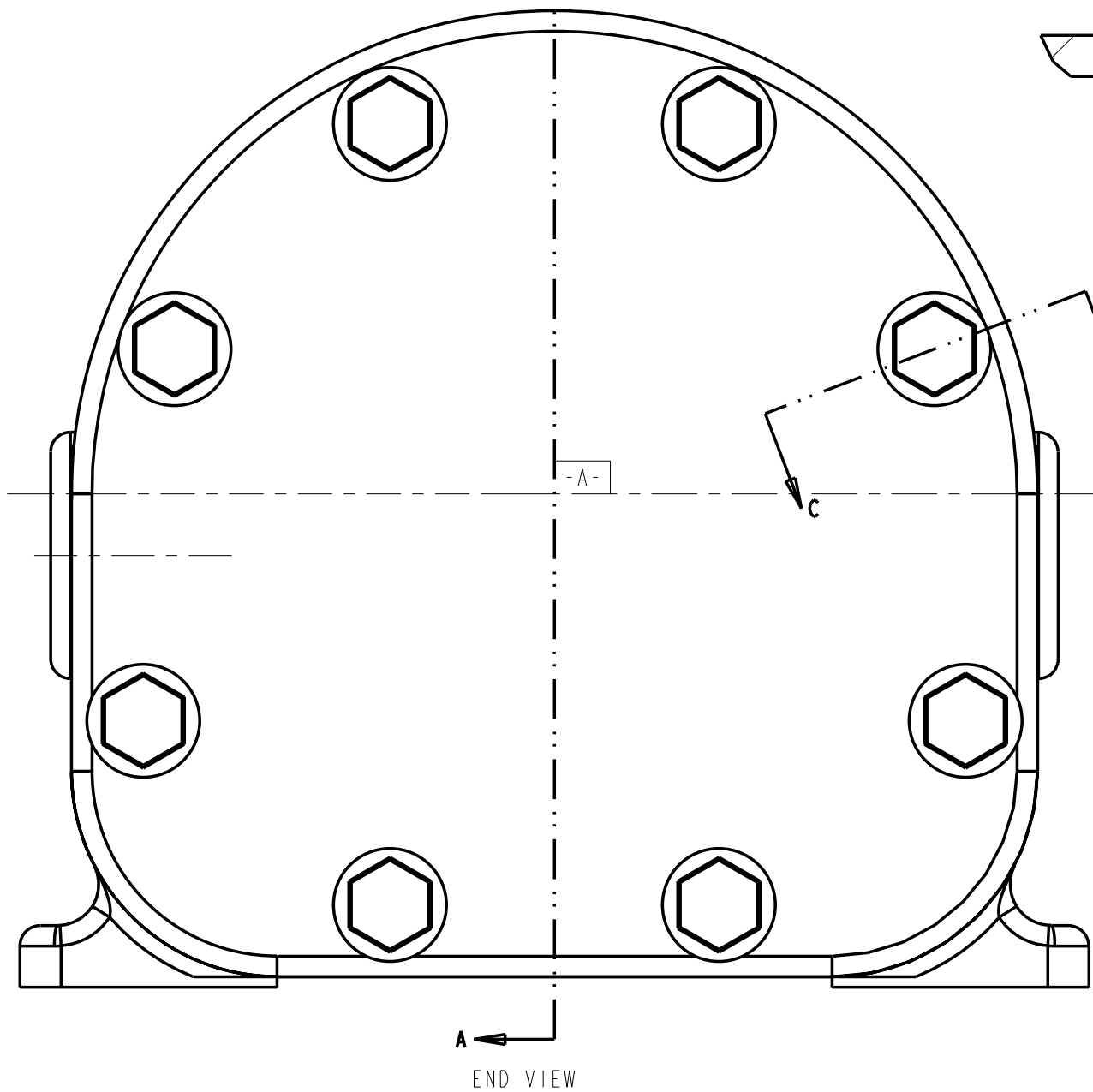
CONTROL CONCEPTS, INC
 100 PARK ST P.O. BOX 386
 PUTNAM, CT USA

THIS DRAWING AND THE PARTS THEREOF ARE THE PROPERTY OF CONTROL CONCEPTS INC. AND MAY NOT BE REPRODUCED OR USED WITHOUT WRITTEN CONSENT.

SIZE: DATE:	DESCRIPTION:	SCALE:
C 11/27/00	EXPLOSIONPROOF ZERO SPEED SWITCH ENCLOSURE	FULL
MATERIAL:	PART NO.:	DRAWING NO.:
		C1100-100-0158-2A

TOLERANCE UNLESS AS NOTED:
 .X ±0.1
 .XX ±0.01
 .XXX ±0.005
 ANG ±.5
 FRACT ±1/16

REVISIONS:			
NO	DESCRIPTION	DATE	BY
1	ADDED BALOONS AROUND PART #s	1/28/02	JFL



MICRO SWITCH
(SEE GENERAL NOTE 4)
CONTACT TERMINAL SCREWS
ON THIS MODEL ARE COLOR CODED

WHITE - COMMON
RED - NORM. CLOSED
BLUE - NORM OPEN

CONTROL CONCEPTS, INC
100 PARK ST P.O. BOX 386
PUTNAM, CT USA

THIS DRAWING AND THE PARTS THEREOF ARE THE PROPERTY OF CONTROL CONCEPTS INC. AND MAY NOT BE REPRODUCED OR USED WITHOUT WRITTEN CONSENT.		
SIZE: DATE:	DESCRIPTION:	SCALE:
C 11/27/00	EXPLOSIONPROOF ZERO SPEED SWITCH ENCLOSURE	FULL
MATERIAL:	PART NO.:	DRAWING NO.:
		C1100-100-0158-3A

TOLERANCE UNLESS AS NOTED:
 X.X ±0.1
 X.XX ±0.01
 X.XXX ±0.005
 ANG ±.5
 FRACT ±1/16

4

3

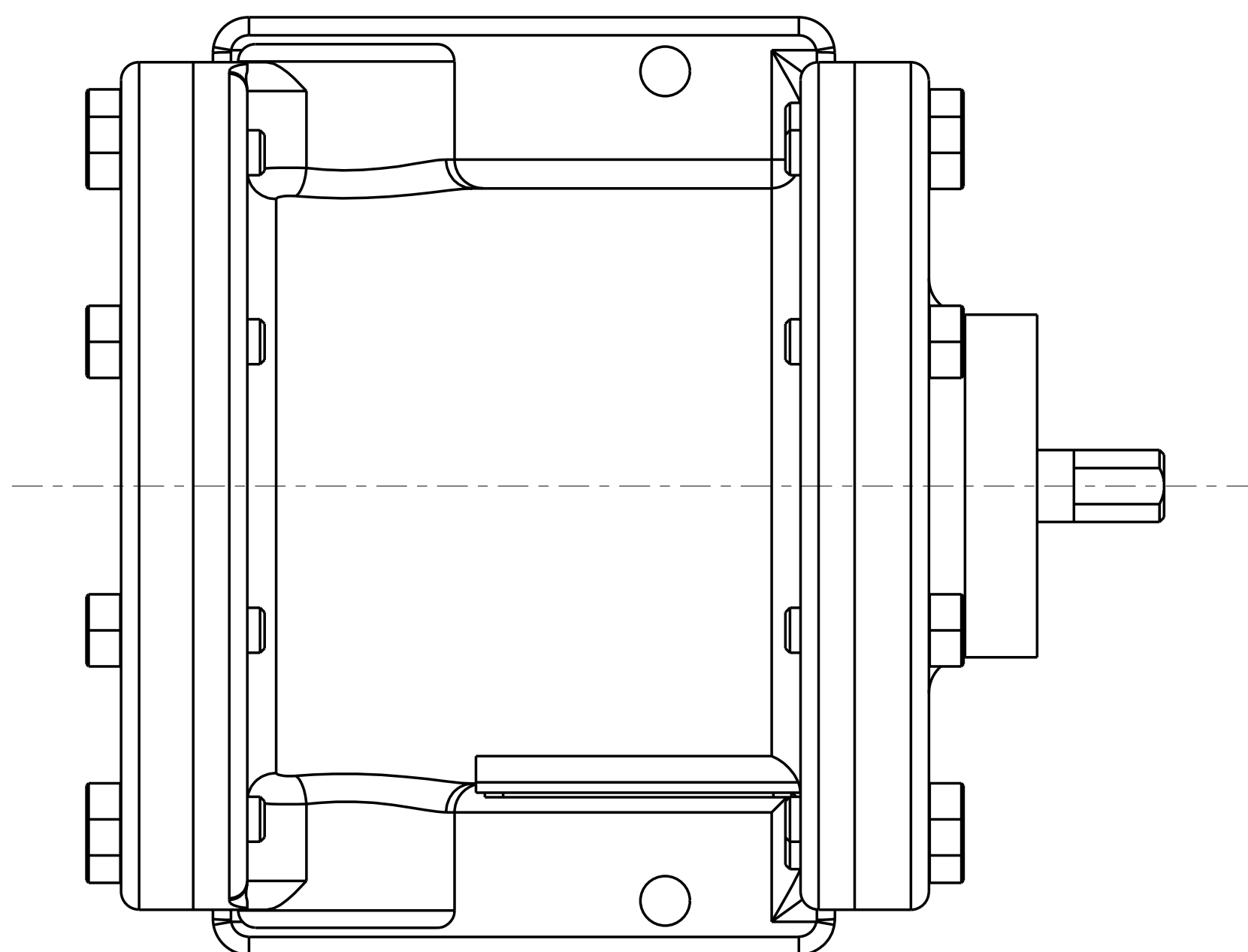
2

1

REVISIONS:			
NO	DESCRIPTION	DATE	BY
1	ADDED MODEL OF TAG & VALUES	1/28/02	JFL

TAG VALUES

MODEL #	RPM	MODEL	RPM
2120	2000	2130	2000
2120-1	200	2130-1	200
2120-5	100	2130-5	100
2120-10	50	2130-10	50
2120-A1	2000	2130-A1	2000
2120-A2	2000	2130-A2	2000
2120-A3	2000	2130-A3	2000
2120-A4	2000	2130-A4	2000
2120-A11	200	2130-A11	200
2120-A15	100	2130-A15	100
2122	2000	8121-S	5
2122-1	200	8121-5S	2.5
2122-5	100	81212-S	5
2122-10	50	81212-5S	2.5
2122-A1	2000	8131-S	5
2122-A2	2000	8131-5S	2.5
2122-A3	2000		
2122-A4	2000		
2122-A11	2000		
2122-A15	100		



TOP VIEW

CONTROL Concepts, Inc.

MODEL: _____

TYPE: EP-1

APPROVED **FM**

CONTACT 10 AMPS-25, 250 OR 480 V. AC.
 RATING: 1/2 AMP-25 V. DC.
 1/4 AMP-250 V. DC.

EXPLOSION PROOF FOR USE IN CLASS I, DIVISION I, GROUPS C & D AND CLASS II, DIVISION I, GROUPS E, F & G HAZARDOUS LOCATIONS.

AMBIENT TEMPERATURE RANGE -20° C TO 60° C T4A

INSTALL WITH EXPLOSIONPROOF FOUNDED SEAL, CONDUIT FITTINGS WITHIN 18 INCHES OF ENCLOSURE.

MAX SHAFT SPEED _____ RPM.

MUST BE DRIVEN WITH FLEXIBLE OR SPLIT COUPLING. AVOID BID PRESSURE & OVERHUNG LOAD ON SHAFT.

DISCONNECT FROM THE SUPPLYING CIRCUIT BEFORE OPENING AND TIGHTLY CLOSE AGAIN BEFORE IT IS PUT BACK INTO OPERATION.

PRODUCTION CODE: _____

CONTROL Concepts, Inc.
 PUTNAM, CONNECTICUT
 1-800-745-6888

DETAIL OF TAG SCALE 1:250

PRODUCTION CODE VALUE: MMY#####/INI
 (MM=MONTH)
 (YY=YEAR)
 (####= SEQUENTIAL PRODUCTION NUMBER)
 (INI= ASSEMBLERS INITIALS)

CONTROL CONCEPTS, INC
 100 PARK ST P.O. BOX 386
 PUTNAM, CT USA

THIS DRAWING AND THE PARTS THEREOF ARE THE PROPERTY OF CONTROL CONCEPTS, INC. AND MAY NOT BE REPRODUCED OR USED WITHOUT WRITTEN CONSENT.

SIZE: C	DATE: 11/27/00	DESCRIPTION: EXPLOSIONPROOF ZERO SPEED SWITCH ENCLOSURE	SCALE: FULL
MATERIAL	PART NO.	DRAWING NO: C1100-100-0158-4A	

TOLERANCE UNLESS AS NOTED:
 2.X ±0.1
 X.XX ±0.01
 X.XXX ±0.005
 ANG ±.5
 FRACT ±1/16

4

3

2

1