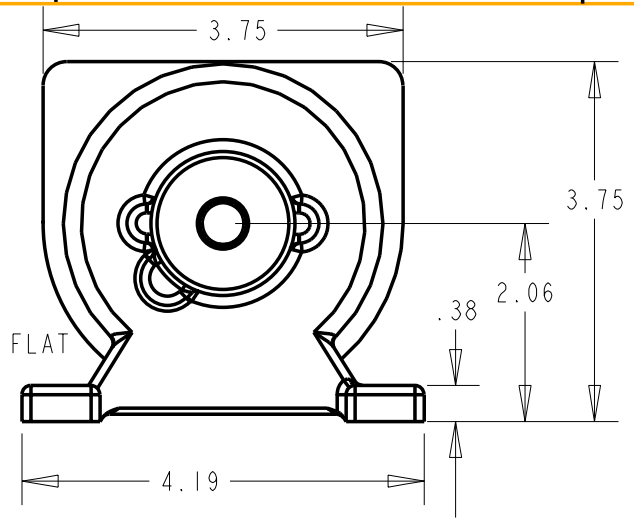
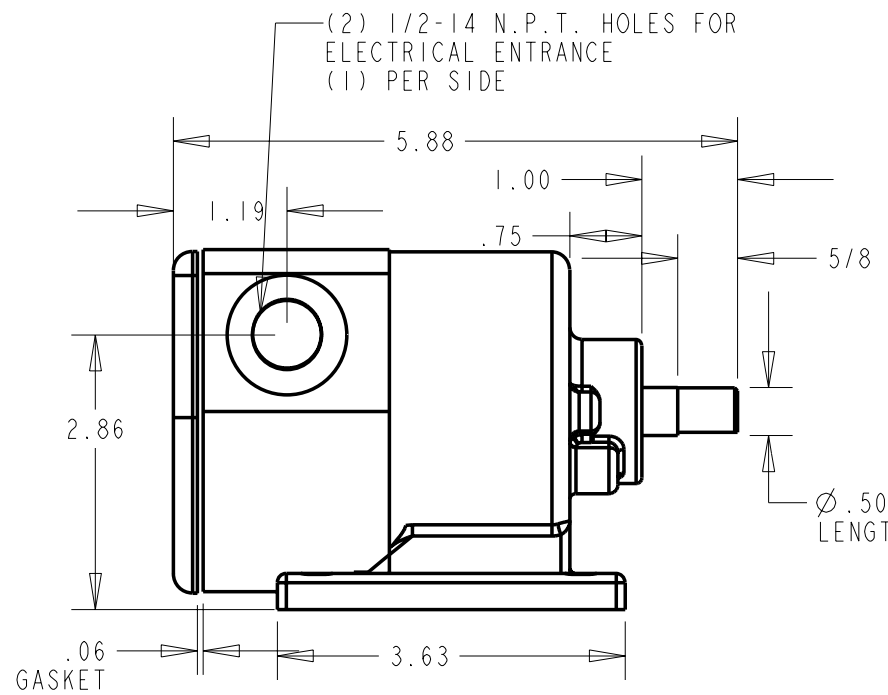
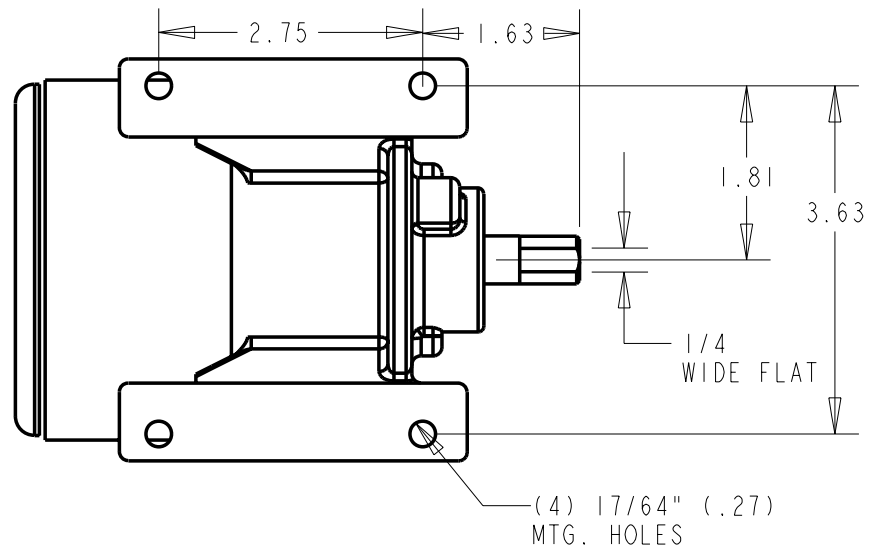


REVISIONS

NO.	DESCRIPTION	DATE	BY



Ø .500
LENGTH OF FLAT



ALL DIMENSIONS ARE DECIMAL INCHES.

CONTROL CONCEPTS, INC
 100 PARK ST, BOX 386
 PUTNAM, CT, USA

THIS DRAWING AND THE PARTS THEREOF ARE THE PROPERTY OF CONTROL CONCEPTS INC. AND MAY NOT BE REPRODUCED OR USED WITHOUT WRITTEN CONSENT

TOLERANCE UNLESS AS NOTED:
 X.X ±0.1
 X.XX ±0.01
 X.XXX ±0.005
 ANG. ±0.5
 FRAC. ± 1/XX

SIZE	DATE	DESCRIPTION	SCALE
A	03/16/05	2100/8011 BASE MOUNT	1/2
MATERIAL	PART NO.	DRAWING NO.	
		0305-100-0317	